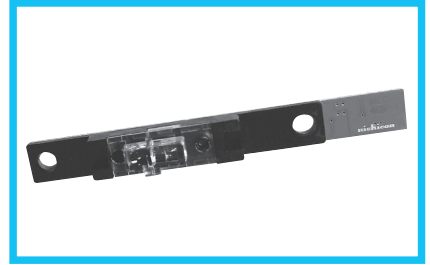


■ Standard Type Toner Quantity Sensor

The amount of attached toner above the detection was measured by this sensor. Useful for color copier and color laser printer.

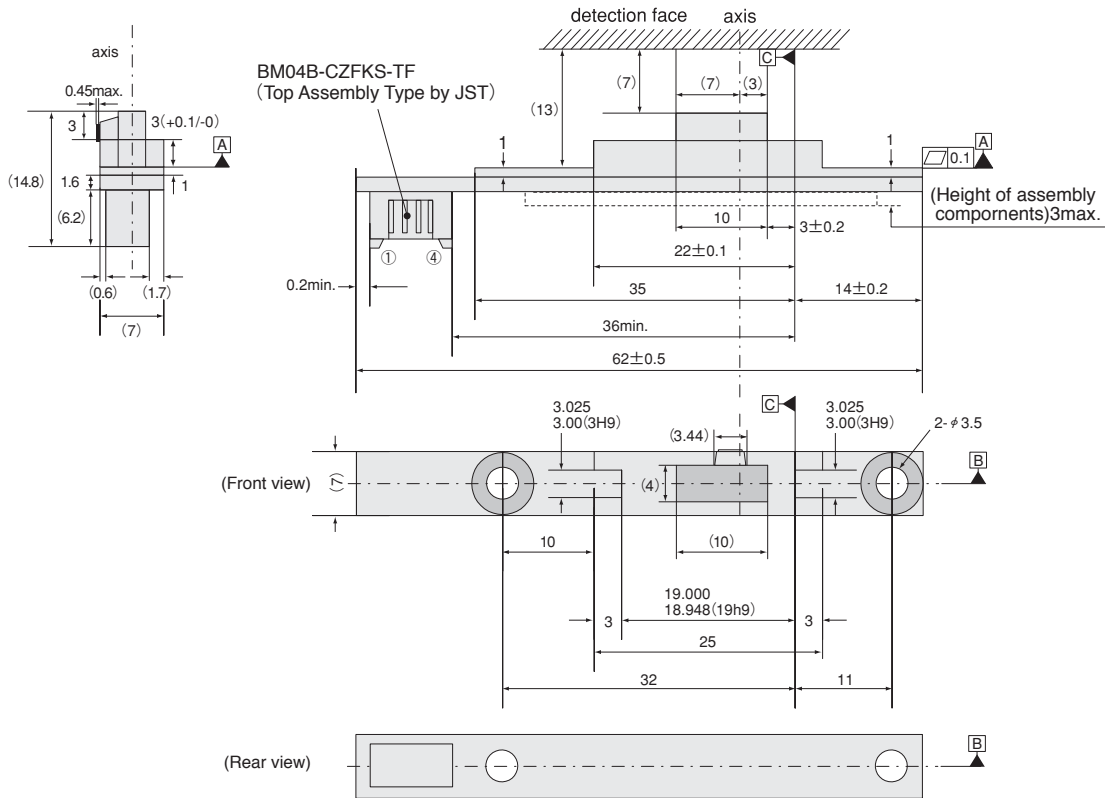


- Applications
 - For color copier
 - For color laser printer

< Standard type >

- Part Number : ZHDA1319
- Characteristics
 - Sensor output is not influenced by a color of toner and quantity of toner was detected by this sensor stably.
 - Sensor output is analog voltage and can be gained in proportion of the toner unattached area.
 - Nichicon can design custom-made toner quantity sensor, based on the specific demand from the customer.
 - For example)
 - LED lights, the frequency and brightness can be adjusted
 - The supported sensor output rate can be changed
 - The sensor output values can be optionally configured
 - Miniaturized with high performance by COB technology.
 - The sensor has a structure to prevent stray light and reduces error of the output.
 - Adapted to the RoHS directive (2011/65/EU,(EU)2015/863).

• Dimensions (Top mount connector)



(Thin form side mount connector)

