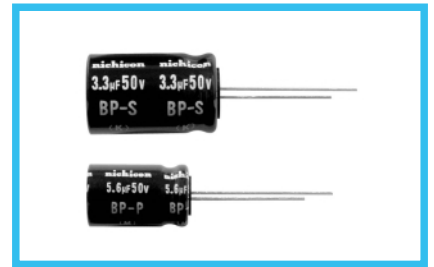


DB.GB series Bi-Polarized, For Speaker Network



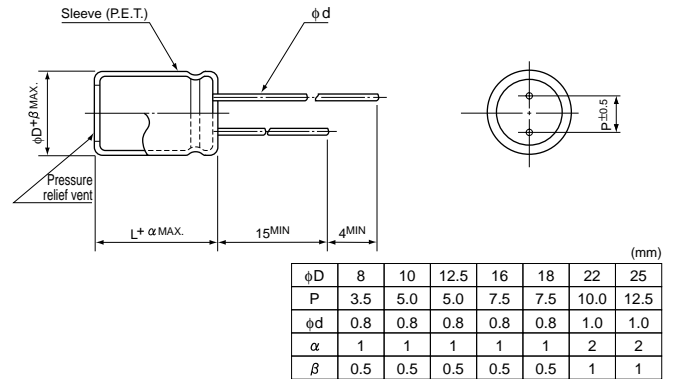
- Bi-polarized series.
- Designed specifically for crossover networks in Hi-Fi sound systems.
- Compliant to the RoHS directive (2002/95/EC).



Specifications

| Performance Characteristics | DB series | GB series |
|---|--|------------------------------|
| Category Temperature Range | -40 to +85°C | -40 to +85°C |
| Rated Voltage Range | 50V | 50V |
| Rated Capacitance Tolerance | ±20% at 1kHz | ±10% at 1kHz |
| Leakage Current (After 5 minutes' application of rated voltage) | Leakage current is not more than 0.03CV or 3 (µA), whichever is greater. | |
| Tangent of loss angle (tan δ) (1 kHz) (5 kHz) | 0.10 or less 0.15 or less | 0.05 or less 0.05 or less |
| Allowable Continuous Current (8Ω - f _c) | Value in table or less | Value in table or less |
| Marking | Printed with white color letter on black sleeve. | |

Radial Lead Type

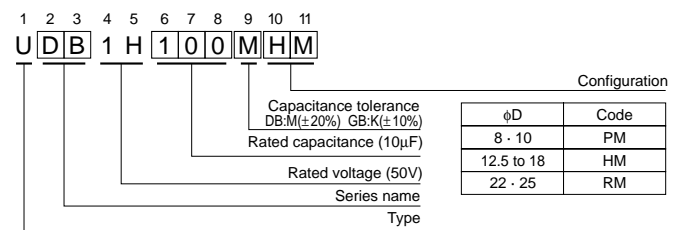


Dimensions

| Cap. (µF) | Code | DB | GB | Rated ripple (mArms) | | |
|-----------|------|-----------|-----------|----------------------|----------------|------|
| | | φD×L (mm) | φD×L (mm) | 1H (50V) | Frequency (Hz) | DB |
| 1 | 010 | 8×11.5 | 10×20 | 20k | 20k | 760 |
| 1.5 | 1R5 | 8×11.5 | 12.5×20 | 13k | 245 | 800 |
| 2.2 | 2R2 | 10×12.5 | 12.5×20 | 9k | 320 | 820 |
| 3.3 | 3R3 | 10×16 | 16×25 | 6k | 400 | 850 |
| 4.7 | 4R7 | 10×20 | 16×25 | 4.2k | 480 | 890 |
| 6.8 | 6R8 | 12.5×20 | 16×31.5 | 2.9k | 540 | 920 |
| 10 | 100 | 12.5×25 | 18×35.5 | 2k | 600 | 970 |
| 15 | 150 | 12.5×25 | 22×40 | 1.3k | 660 | 1040 |
| 22 | 220 | 16×25 | 22×40 | 900 | 740 | 1060 |
| 33 | 330 | 16×31.5 | 25×40 | 600 | 800 | 1120 |
| 47 | 470 | 18×35.5 | | 420 | 1020 | |
| 68 | 680 | 22×40 | | 290 | 1200 | |

• Please refer to page 20 about the end seal configuration.

Type numbering system (Example : DB series 50V 10µF)



Please refer to page 20, 21, 22 about the formed or taped product spec.
Please refer to page 4 for the minimum order quantity.