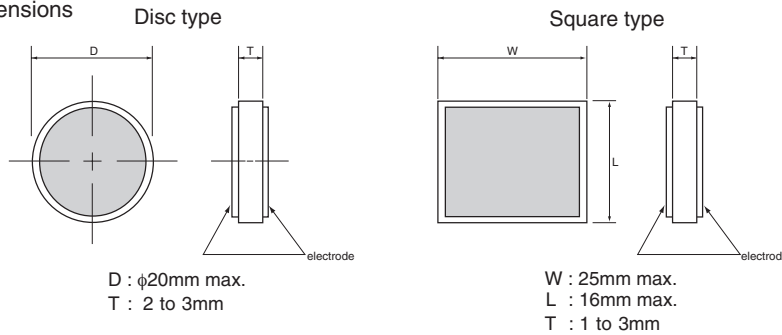


## ■ For Heater

A disc type Posi-R is ideal for a small-power heater, making use of its self-heating and self-equilibrium characteristics. As a Posi-R self-heats when voltage is applied, the size of a heater element and the switching temperature can be optionally selected in accordance with the shape of appliances.

Since this is of a non-contact control type, it is highly reliable for such applications. It is used for a Automobile-related appliances, house hold appliances and business machines.

### ● Dimensions



Switching temperature : 280°C max.  
Resistance :  
0.3 to 3.0 $\Omega$  (12V class)  
100 to 2000 $\Omega$  (100V class)  
200 to 2000 $\Omega$  (200V class)  
(Resistance value various by size, switching temperature.)